



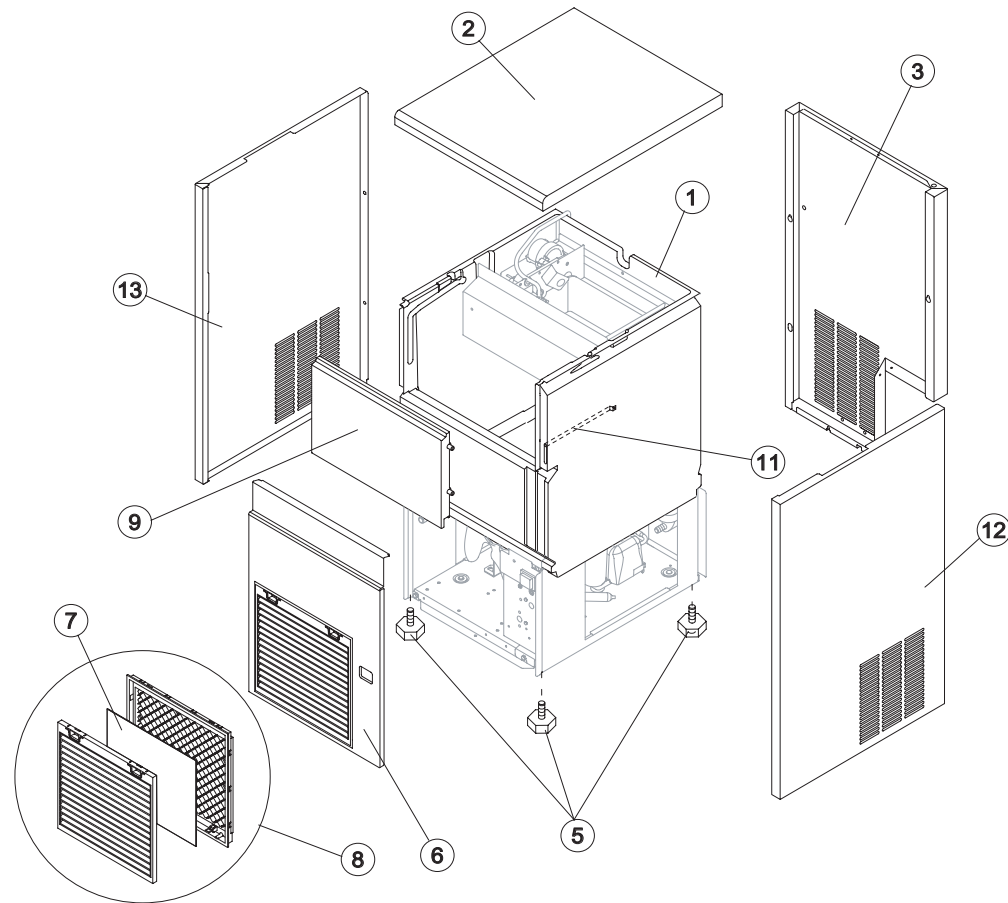
SHELL ASSY

COOLING SYSTEM

HYDRAULIC CIRCUIT

EVAPORATOR SUPPORT

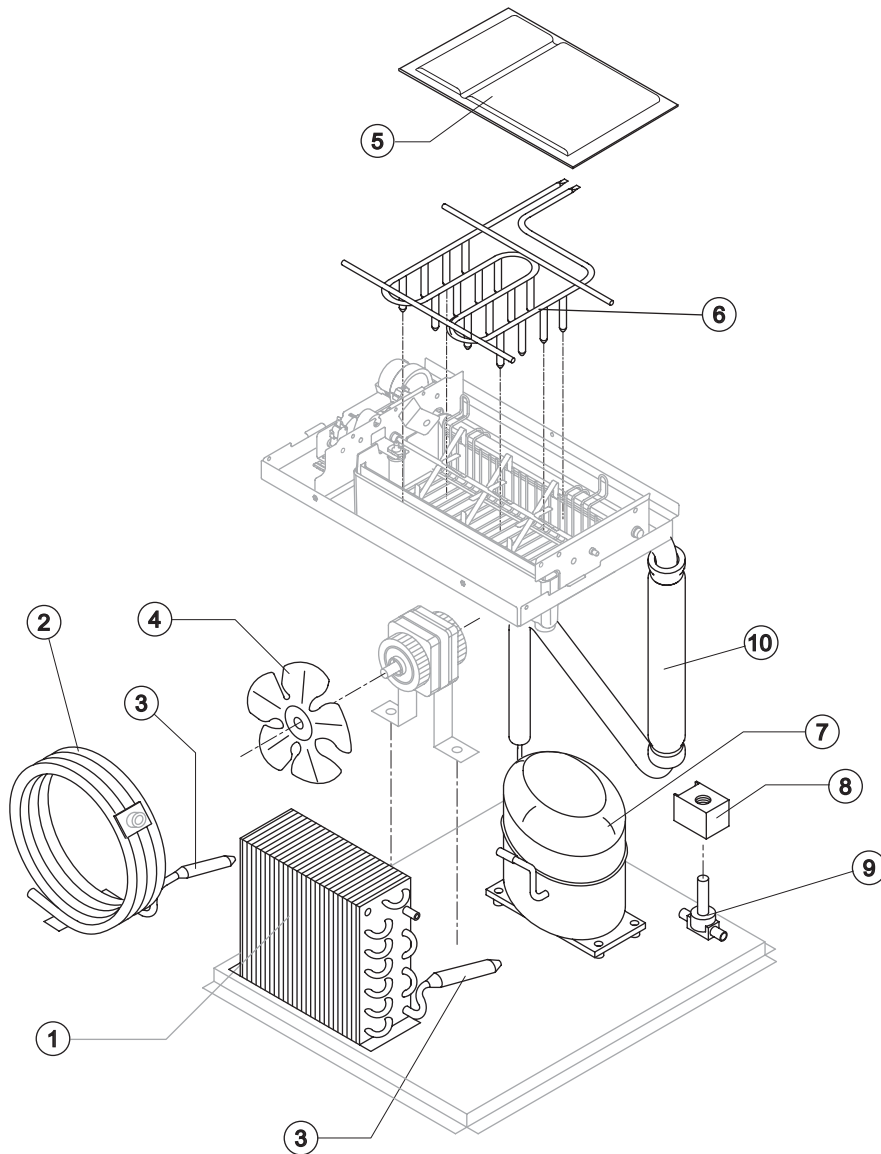
ELECTRIC PARTS



Ref.	Spare Description	Code
1	Foamed Bin Assy	C11135
2	Top Assembly	C221351
3	Rear Panel Assembly	C21381
5	Foot	10557
6	Front Grid Panel	C221347
7*	Filtering Panel	18106
8	Frame + Grid & Filter	C10205
9	Door Assy	C10303
11	Bulbe-holder Pipe	20995
12	Right Side Panel	221412
13	Left Side Panel	221411



Rev. 02 - 12/03/2019



Common Parts

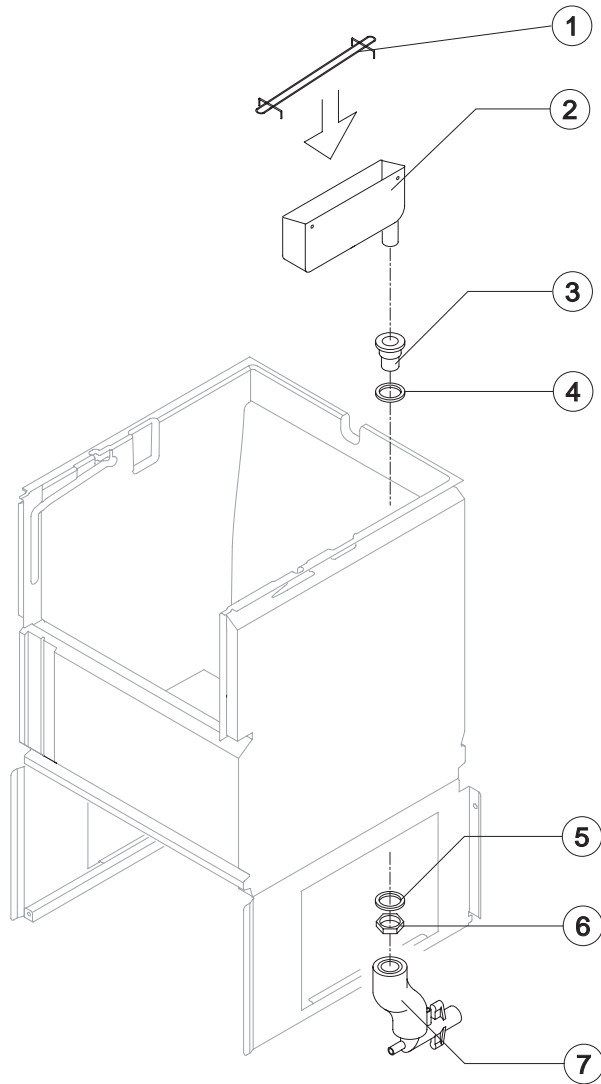
Ref.	Spare Description	Code
3*	Molecular Drier	14009
5	Evaporator Cover Panel	10486
6	Evaporator	D14687
7	Compressor	231127
8*	Hot Gas Valve Coil	231294
9*	Hot Gas Valve Body	201129
10	Suctin Line	for the spare parts code give us the s/n.

Parts for Air-Cooled Version Only

Ref.	Spare Description	Code
1	Air Condenser	20534
4	Sucking Fan	20095

Parts for Water-Cooled Version Only

Ref.	Spare Description	Code
2	Water Condenser	14057



Common Parts

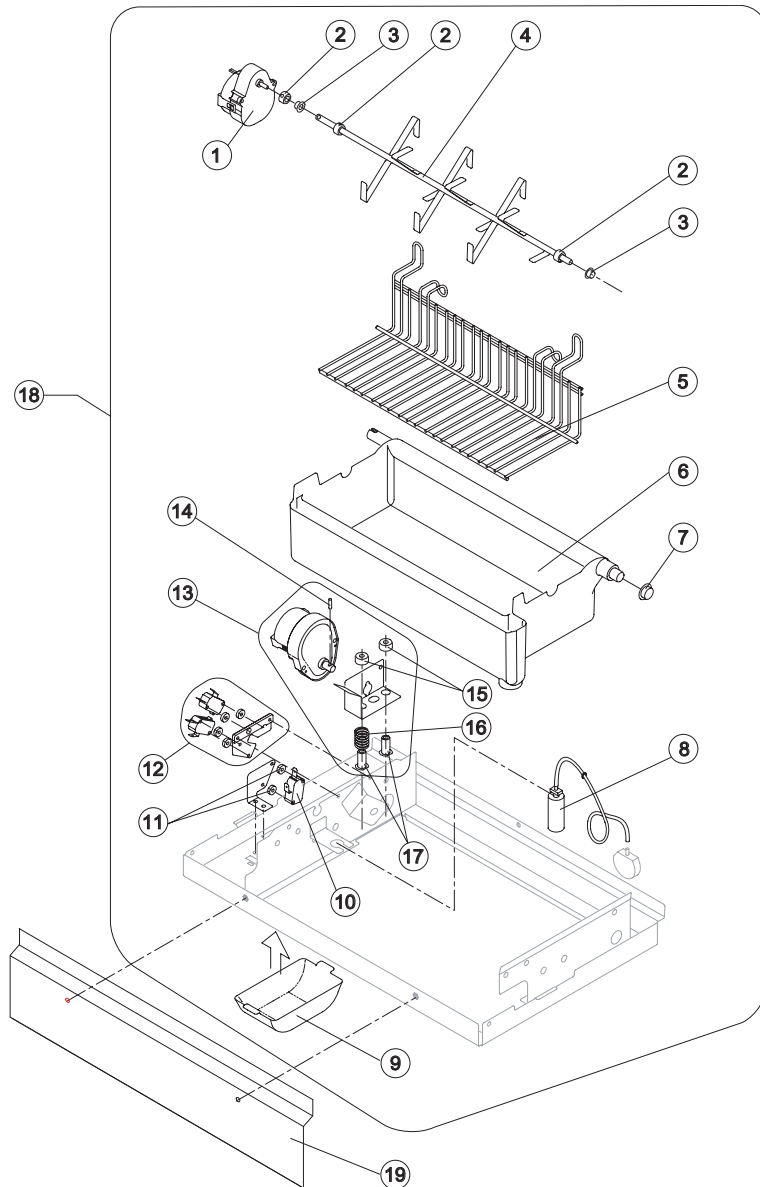
Ref.	Spare Description	Code
1	Water Collecting Basin Slide	12089
2	Water Collecting Basin	10552
3	Water Outlet Nipple	10472
4	Silicone Gasket	13219
5	Semirigid Polyethylene Gasket	13007
6	Bin Discharge Nut	10096

Parts for Air-Cooled Version Only

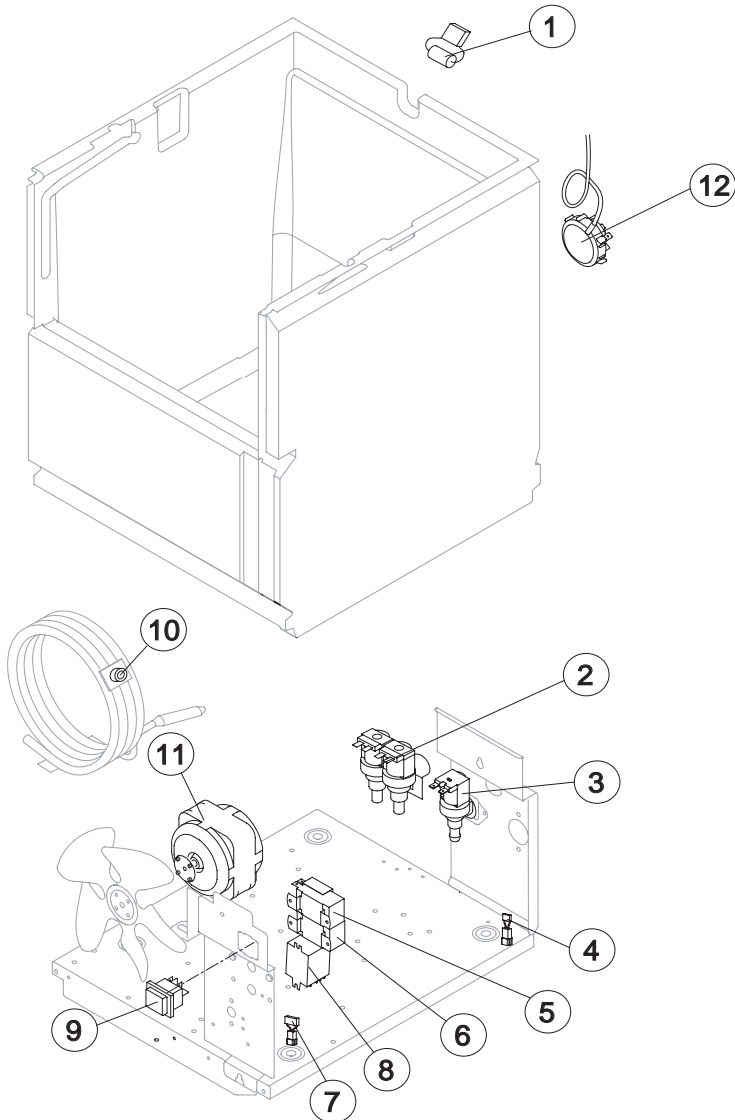
Ref.	Spare Description	Code
7	Discharges Manifold	C10006

Parts for Water-Cooled Version Only

Ref.	Spare Description	Code
7	Discharges Manifold	C26452



Ref.	Spare Description	Code
1*	Gearmotor (Paddles)	23937
2	Shaft Stop Ring	20227
3	Self-Lubricating Bush 06/06	20230
4*	Shaft with Paddles	20969
5	Internal Slide Bin	12087
6*	Water Basin with Pivot	C10590
7	Self-Lubricating Bush 12/07	20231
8*	Air Trap with Pipe	C10537
9	Gearmotor (Paddles) Protection	10483
10*	Microswitch (Paddles - NO)	23804
11	Switch Shimming Ring	10250
12*	2 Microswitches (Basin - NC) Support Assembly	C26747
13*	Gearmotor (Turnover Basin) with support Assy	C26746
14	Shaft Pin for Gearmotor (Turnover Basin)	20814
15	Special Ring	20808
16	Spring (Gearmotor Support)	20809
17	Threaded Pivot	20807
18	Evaporator Support Plate Assembly	C221174
19	Front Basin Cover	221205



Common Parts

Ref.	Spare Description	Code
1*	Capacitor 0,12µF	Current Version 231336
1*	Capacitor 0,068µF	Till s/n. 943515 23798
4	Anti Radio Interference Filter	C23458
5*	Condenser Pressure Switch	231123
6*	Bin Thermostat	R23005
8*	Relay	23190
9*	Green Light Switch(On-Off)	23327
12*	Water Level Pressure Switch	23870

Parts for Air-Cooled Version Only

Ref.	Spare Description	Code
3*	1 Way- Water Inlet Valve	23001
7	Anti Radio Interference Filter	C23459
11*	Fan Motor	231041

Parts for Water-Cooled Version Only

Ref.	Spare Description	Code
2*	2 Ways- Water Inlet Valve	23010
7	Anti Radio Interference Filter	C23457
10*	Safety Thermostat Switch	C23114